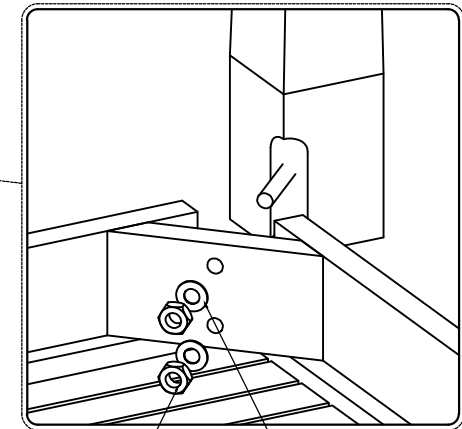
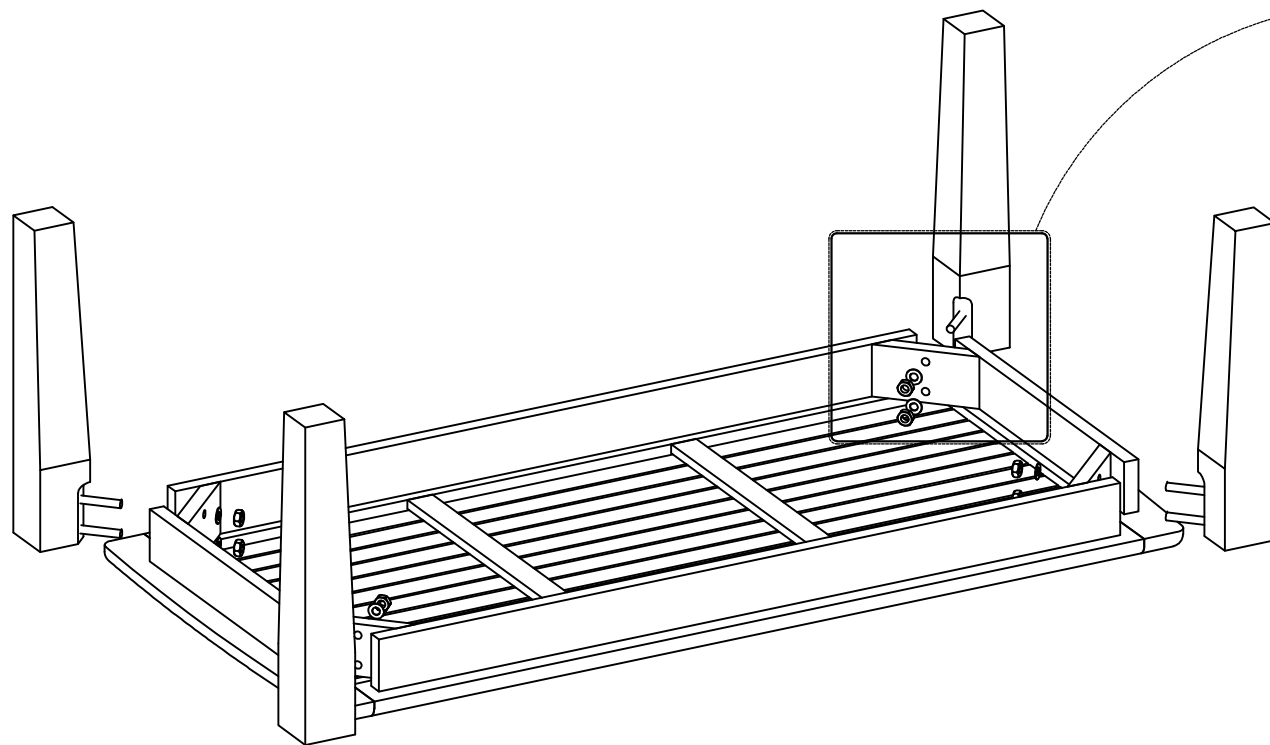


ASSEMBLY INSTRUCTION - HLT 949



②

①

HARDWARE

① Washer M10 : 08 Pcs

② Nut M10 : 08 Pcs

ADD Wrench M17 : 01 Pc