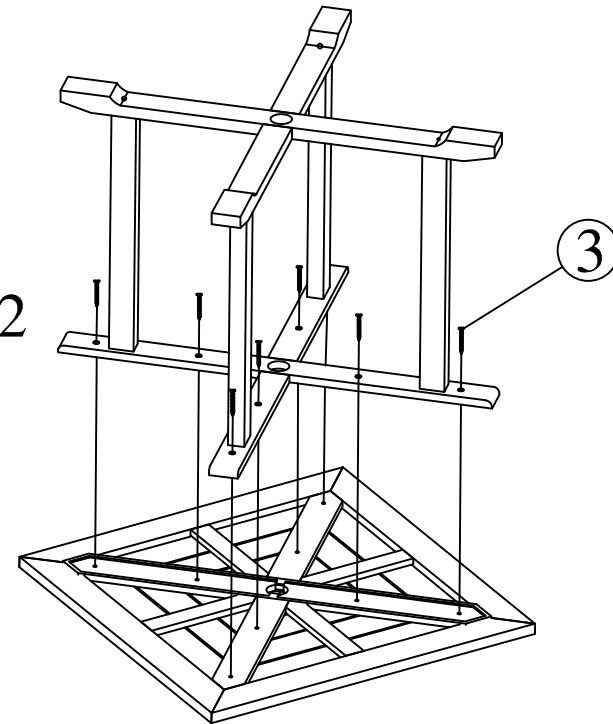
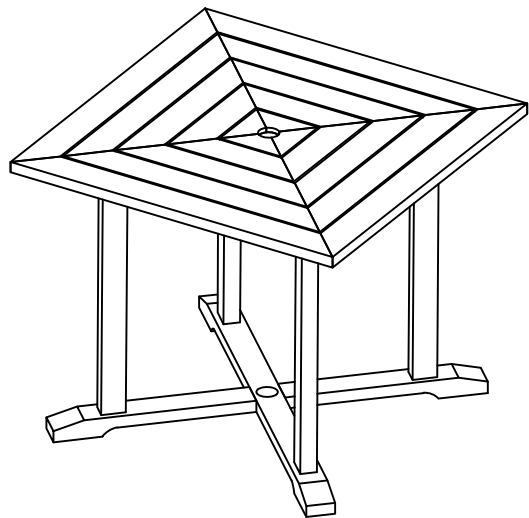


Step 1



Step 2



ASSEMBLY INSTRUCTION HLT1316

- 1* F-SCREW 6X70 =4 PCS
- 2* F-SCREW 6X60 =4 PCS
- 3* F-SCREW 6X40 =8PCS
- * Allen Key M4 =2 PCS