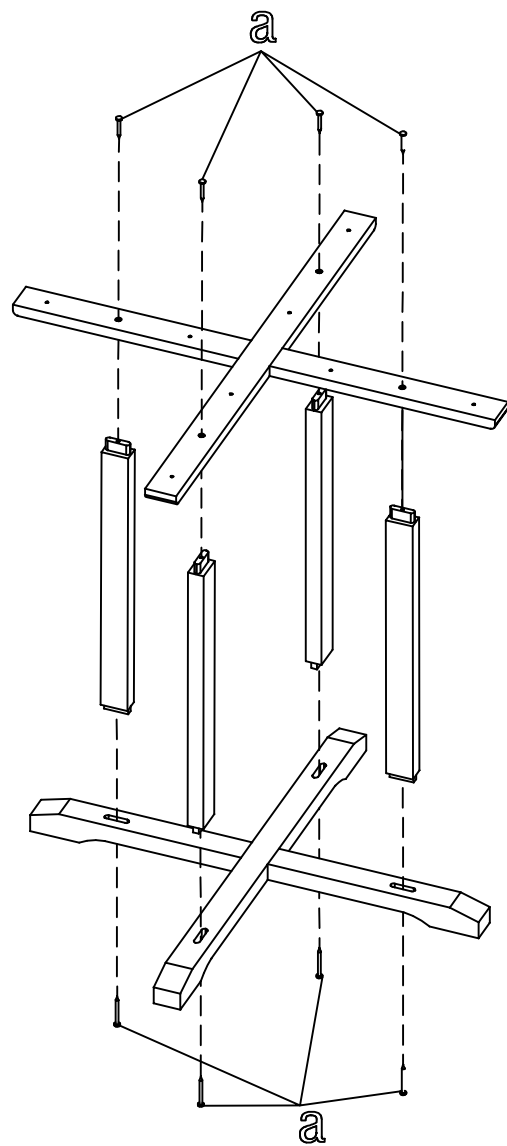
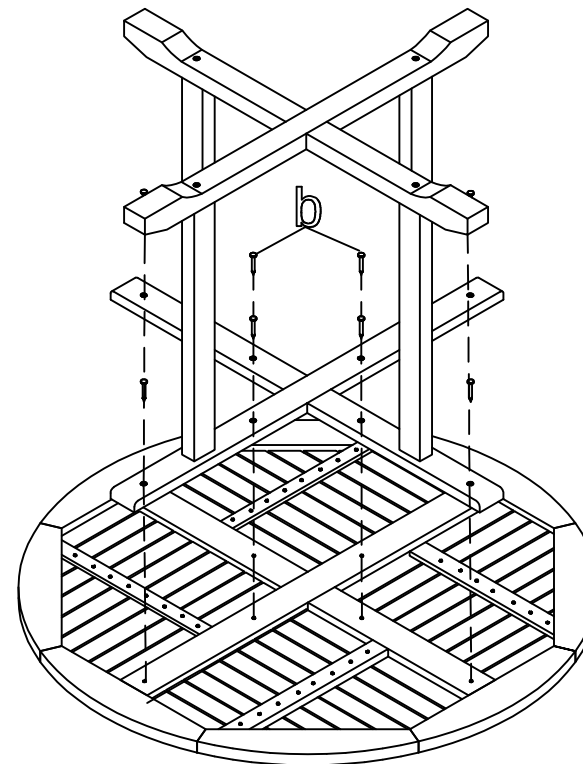


Step 1



Step 2



ASSEMBLY INSTRUCTION - HLT083

a/F-Screw  M7x70 = 08 pcs

b/F-Screw  M6x40 = 08 pcs

*Allen key  M4 = 02 pcs