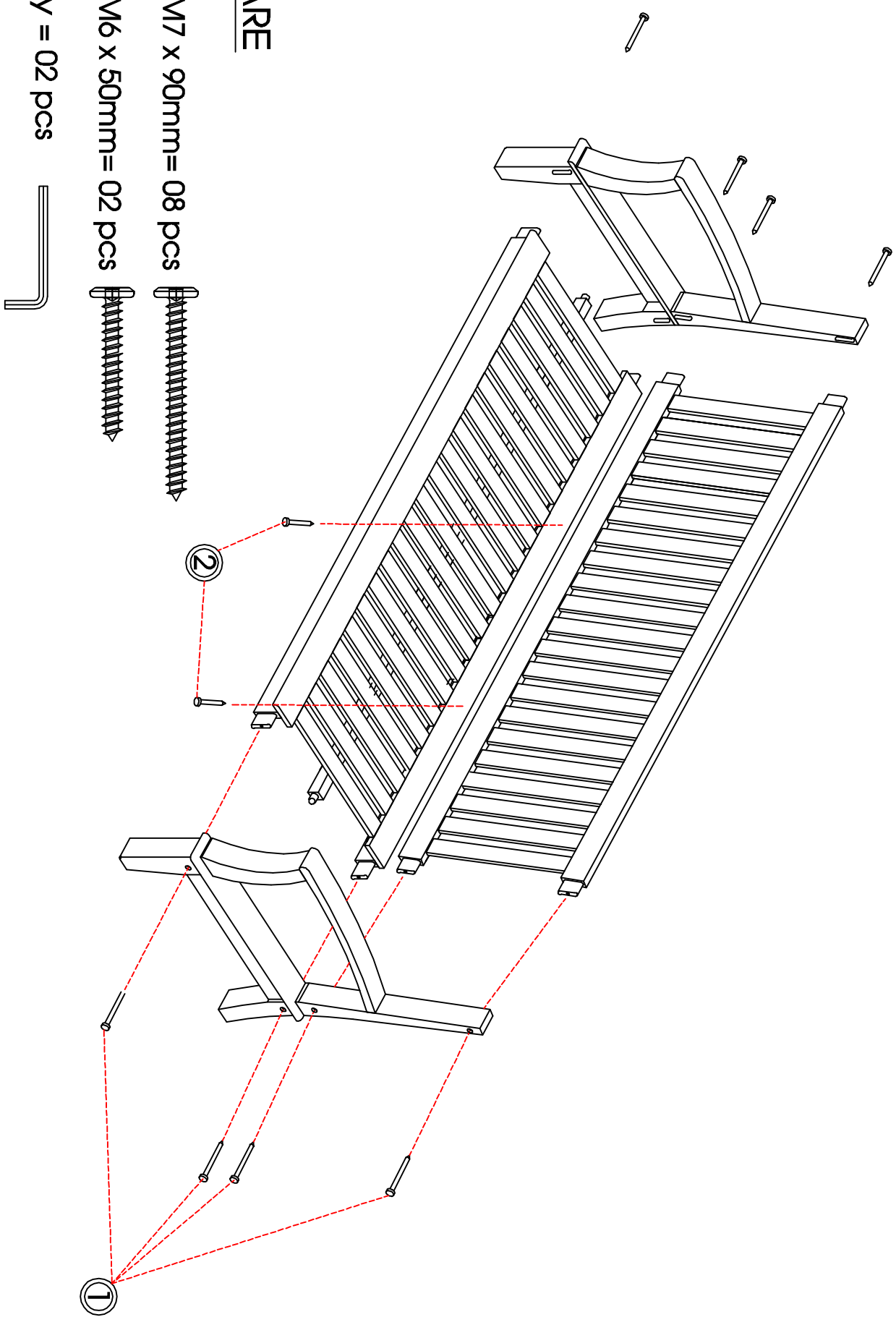




ASSEMBLY INSTRUCTION: HLB947



HARDWARE

- ① F-screw M7 x 90mm = 08 pcs 
- ② F-screw M6 x 50mm = 02 pcs 
- * Allen Key = 02 pcs 