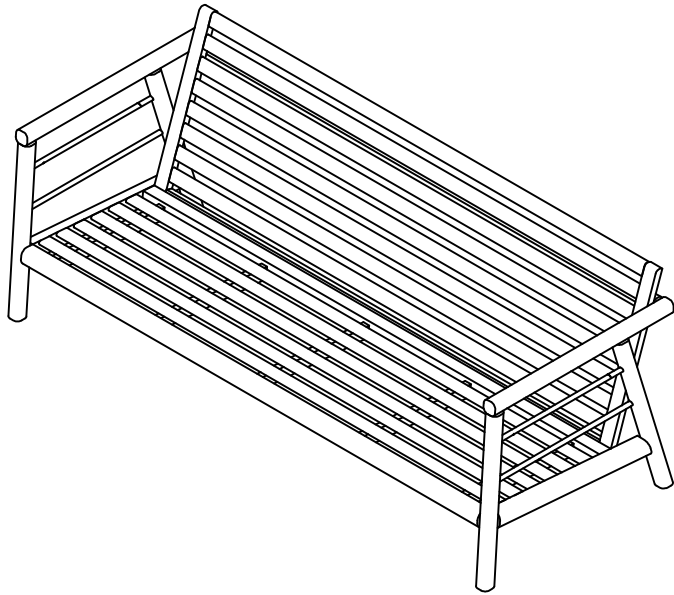
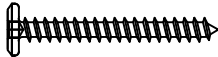


ASSEMBLY INSTRUCTION:HLB2379



HARDWARE

① F-Screw M7X90 : 06 Pcs 

② F-Screw M6x40 : 06 Pcs 

*** Allen key

