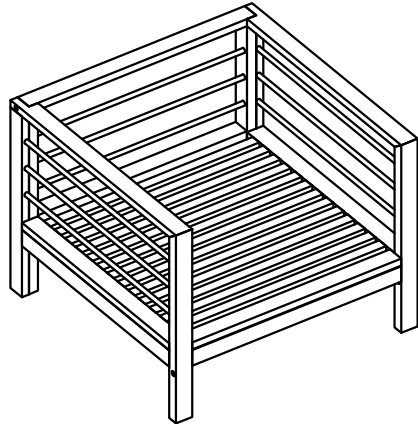




# ASSEMBLY INSTRUCTION: HLAC1960



## HARDWARE

① F-screw 6 x 40: 6 Pcs



② F-screw 7 x 80: 2 Pcs



③ Chipboard Screw 5 x 50: 6 Pcs



⊕ Add Allen Key: 2 Pcs

