

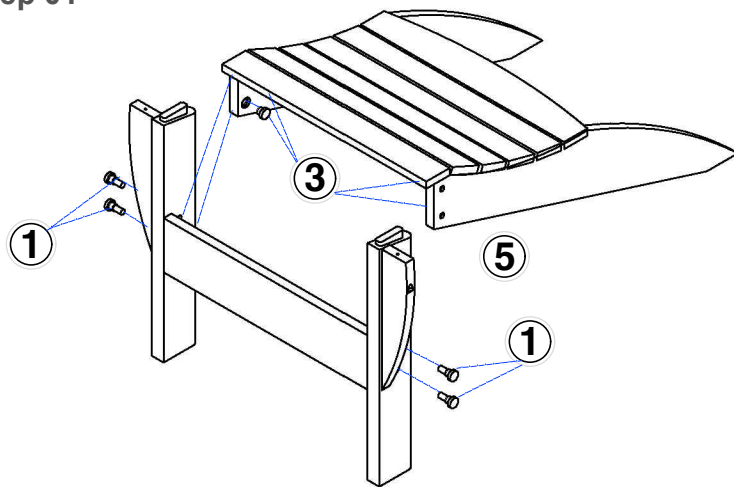
HITEAK
PREMIER TEAK FURNITURE

HARDWARE :HLAC1463

- ① Cap nut M8X40: 4pcs
- ② F- Bolt M6X90: 2pcs
- ③ Sleeve Nut M8X13: 4pcs
- ④ F -Crew M6X40: 2pcs
- ⑤ F -Crew M6X50: 2pcs
- ⑥ Cross nut 10X14: 2pcs

Add Allen key M4 : 02 Pcs

Step 01



Step 02

